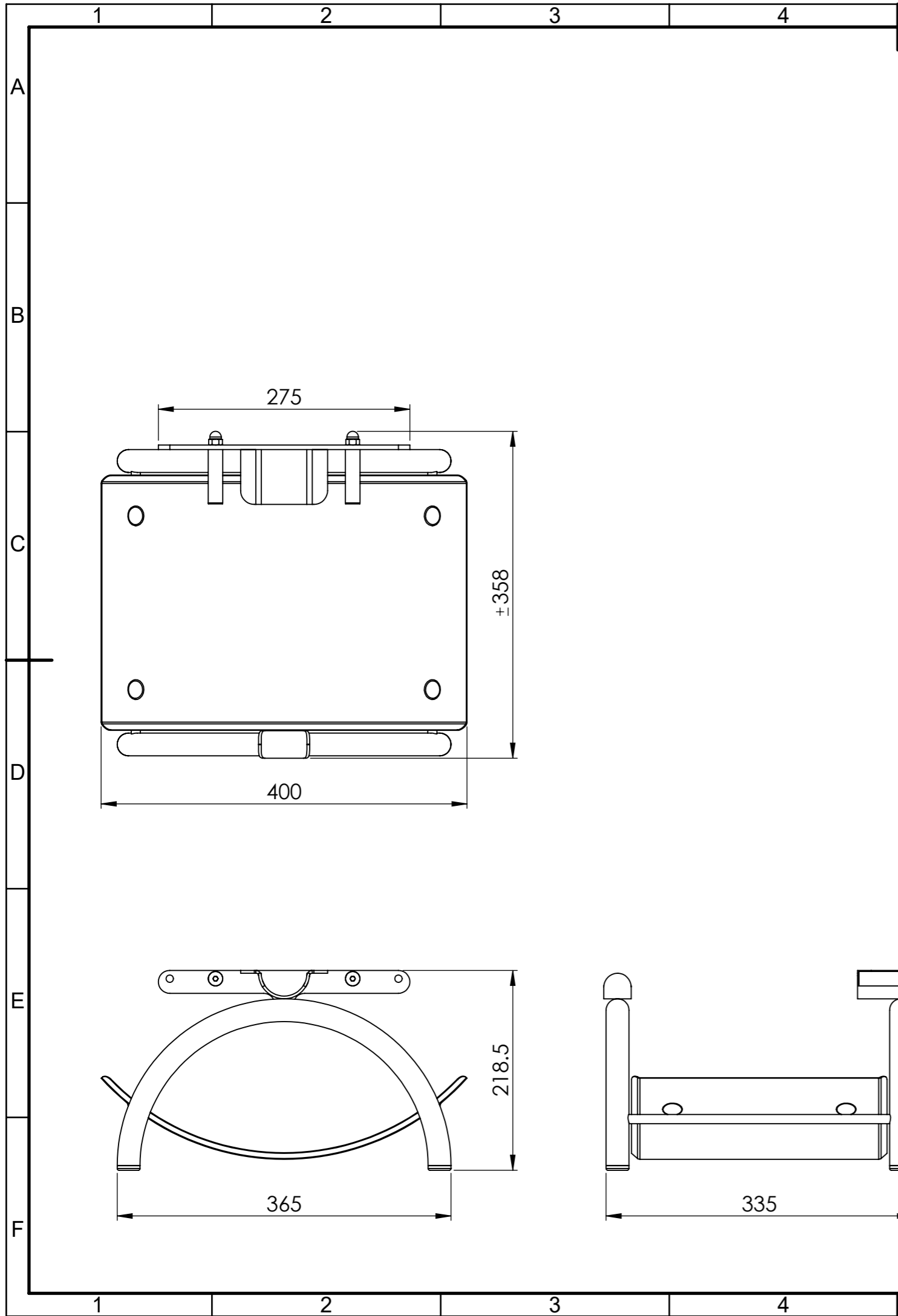


INDEX

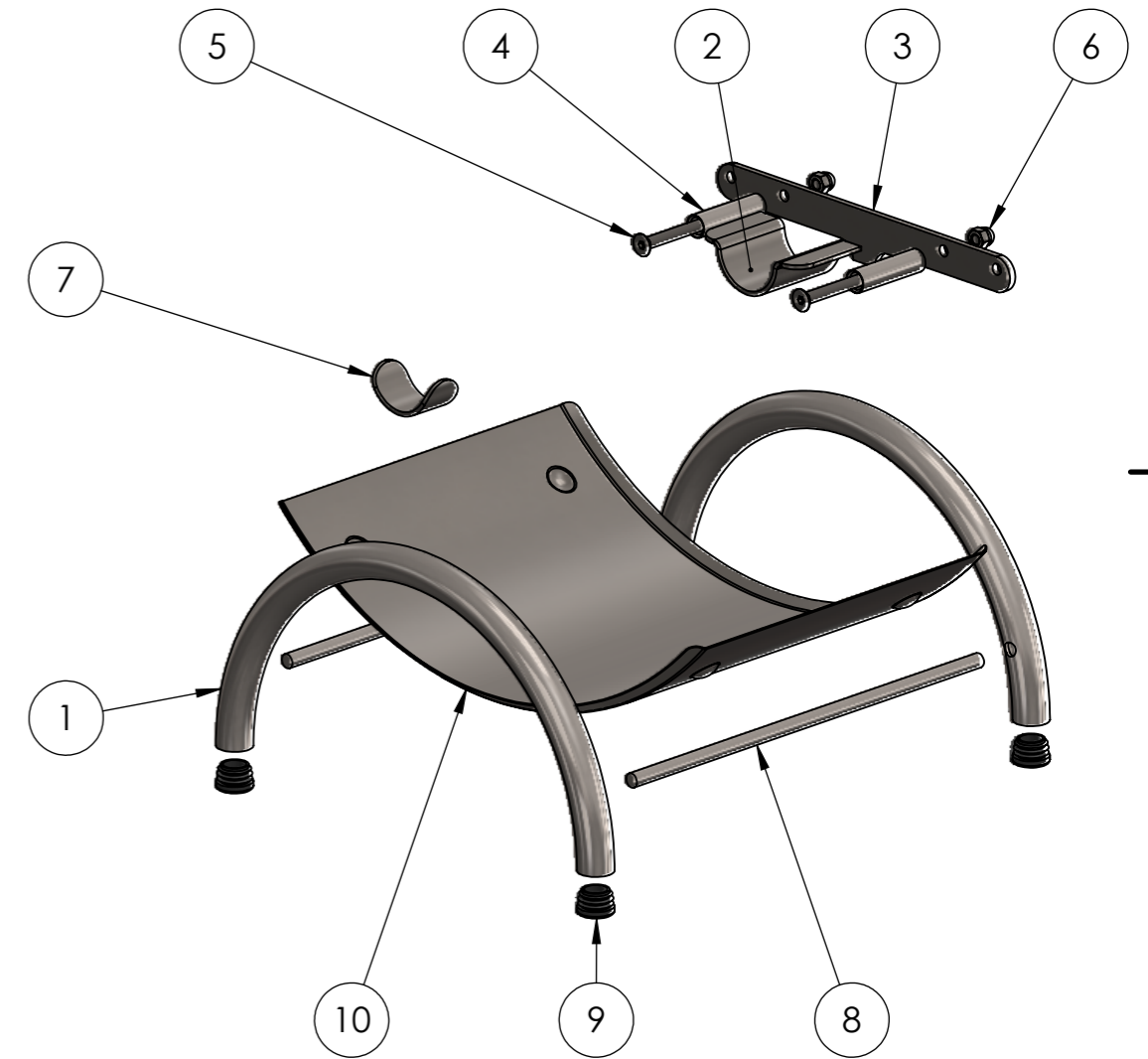
NUMBER	SHEET	DESCRIPTION
1	Sheet 2	Support
2	Sheet 3	Baking mold
3	Sheet 4	Lower assembly
4	Sheet 5	Upper assembly
5	Sheet 6	Control unit
6	/	Power cable
7	/	Connector cable

Material:		This drawing and any information or descriptive material set out on it are the confidential and copyright property of HVD . © and MUST NOT BE DISCLOSED, COPIED, LOANED in whole or part or used for any purpose without the written permission of HVD .	Description:	
Finish:			Drawn by:	Drawn Date:
Unless Otherwise Stated: Linear Tol.: ± 0.2 , Angular Tol.: $0^\circ 15'$ Surface Finish: $0.8\mu\text{m}$ All Dimensions: mm		Document Type:	TC	01/10/2018
Drawing Scale: 1:5		Company Confidential		Checked/Approved by:
Approx Weight: Kg	Drawing Produced In Accordance With: BS8888	Legal Owner:		Checked/Approved Date:
Projection Method: THIRD ANGLE	Sheet Size: A3	HVD, Atomveldstraat 1 bus 2 B-9450 DENDERHOUTEM BELGIUM T. +32 53 420 057 F. +32 53 420 058 info@hvd.be		Part Number:
				Drawing Number:
				Sheet: 1 of 6
				Revision: -

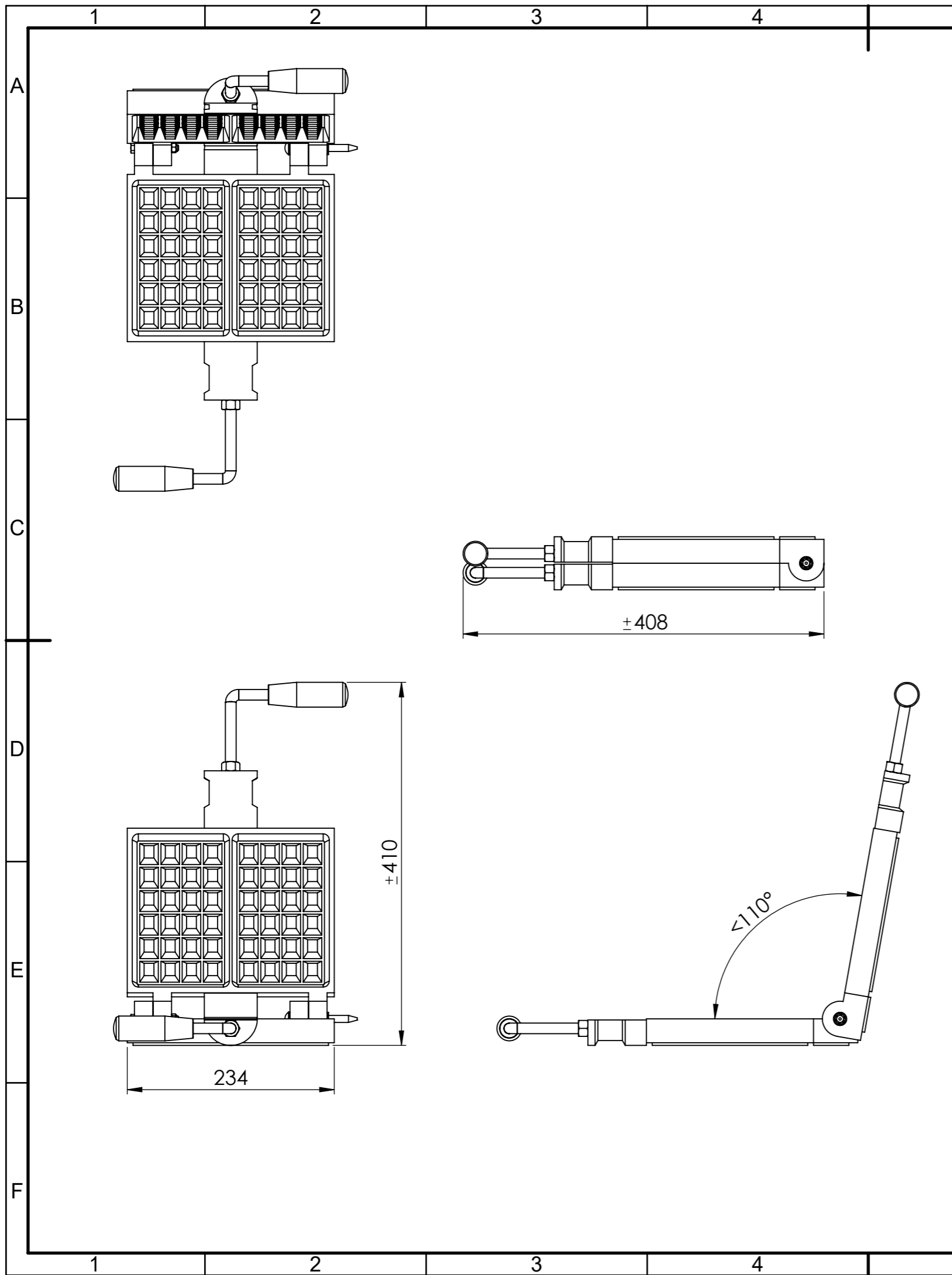
Material:		This drawing and any information or descriptive material set out on it are the confidential and copyright property of HVD . © and MUST NOT BE DISCLOSED, COPIED, LOANED in whole or part or used for any purpose without the written permission of HVD .	Description:	
Finish:			Drawn by:	Drawn Date:
Unless Otherwise Stated: Linear Tol.: ± 0.2 , Angular Tol.: $0^\circ 15'$ Surface Finish: $0.8\mu\text{m}$ All Dimensions: mm		Document Type:	TC	01/10/2018
Drawing Scale: 1:5		Company Confidential		Checked/Approved by:
Approx Weight: Kg	Drawing Produced In Accordance With: BS8888	Legal Owner:		Checked/Approved Date:
Projection Method: THIRD ANGLE	Sheet Size: A3	HVD, Atomveldstraat 1 bus 2 B-9450 DENDERHOUTEM BELGIUM T. +32 53 420 057 F. +32 53 420 058 info@hvd.be		Part Number:
				Drawing Number:
				Sheet: 1 of 6
				Revision: -



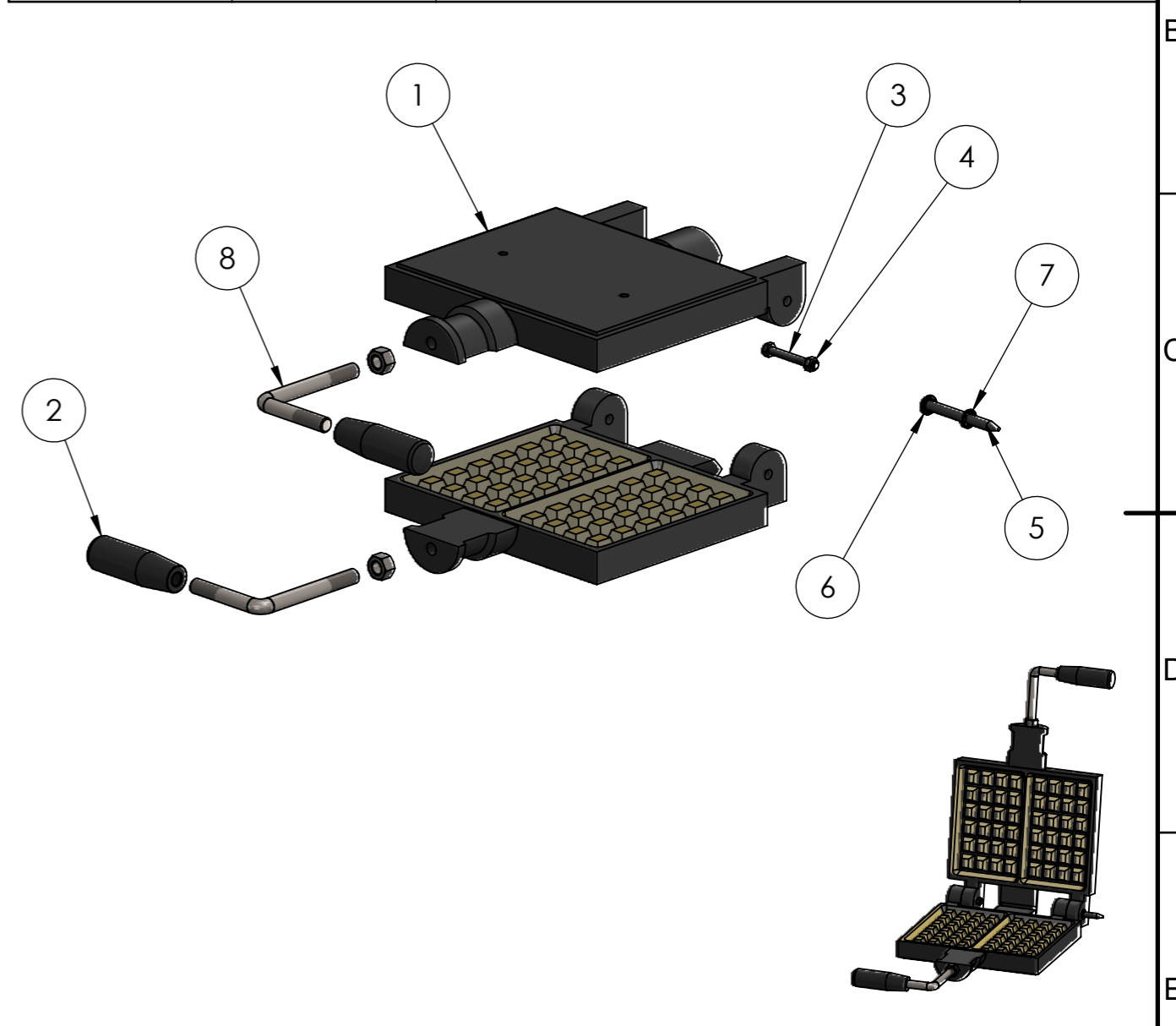
ITEM NO.	SAP	DESCRIPTION	QTY.
1	I001300	Steunboog onderstel Mk1	2
2	I000645	Beugel achterkant Mk1	1
3	I000903	Dwarslat achterkant Mk1	1
4	I000904	bus_M8x58.5	2
5	I001449	DIN 7991 - M8 x 70 --- 70C	2
6	I001373	DIN 1587 - M8 --CNU	2
7	I000646	Beugel voorkant Mk1	1
8	I001450	Staaft Ø10 onderstel Mk1	2
9	I000644	Kunststof voet Ø25	4
10	I000938	Opvangblad Mk1	1



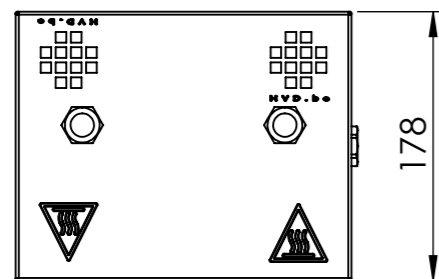
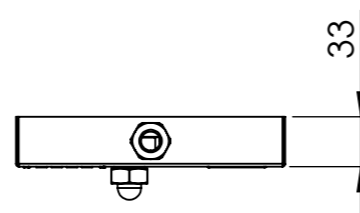
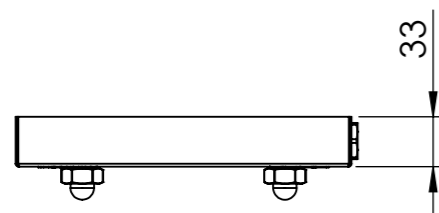
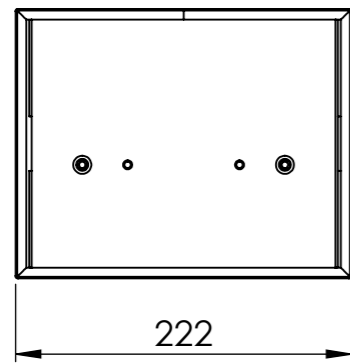
Material:		This drawing and any information or descriptive material set out on it are the confidential and copyright property of HVD . © and MUST NOT BE DISCLOSED, COPIED, LOANED in whole or part or used for any purpose without the written permission of HVD .		Description:	
Finish:		Document Type:		Drawn by: TC	
Unless Otherwise Stated: Linear Tol.: ±0.2, Angular Tol.: 0°15' Surface Finish: 0.8µm All Dimensions: mm		Drawing Scale: 1:5		Drawn Date: 01/10/2018	
Approx Weight: Kg		Drawing Produced In Accordance With: BS8888		Checked/Approved by:	
Projection Method: THIRD ANGLE		Sheet Size: A3		Checked/Approved Date:	
Legal Owner: HVD, Atomveldstraat 1 bus 2 B-9450 DENDERHOUTEM BELGIUM T. +32 53 420 057 F. +32 53 420 058 info@hvd.be		Company Confidential		Part Number:	
HVD.be		Drawing Number:		Sheet: 2 of 6	
				Revision: -	



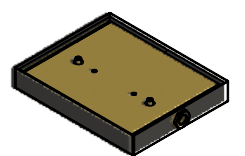
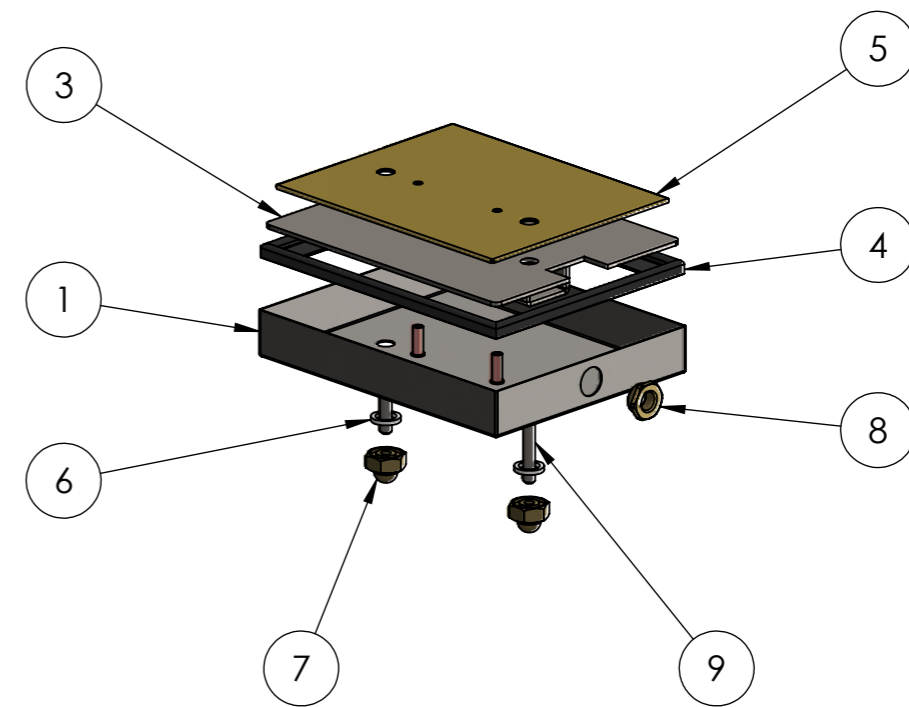
ITEM NO.	SAP	DESCRIPTION	QTY.
1		A26 Mk1-XS	2
2	I000723	Handgreep, kunststof	2
3	I001314	DIN 931 M6x50 zwart	1
4	I000587	DIN 980-8 M6 zwart	1
5		pen 80x8	1
6		Starlock borgring met kap RVS A2	1
7		Starlock borgring RVS A2	1
8	N/A	gebogen hendel (kort)	2



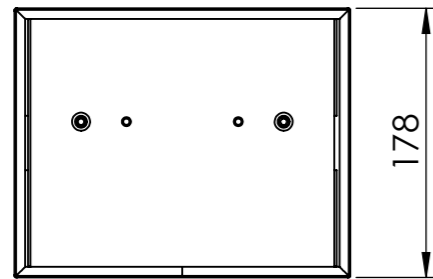
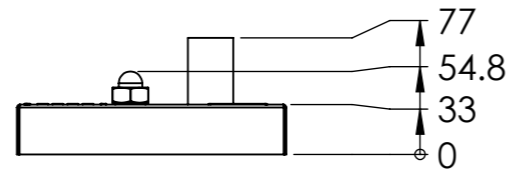
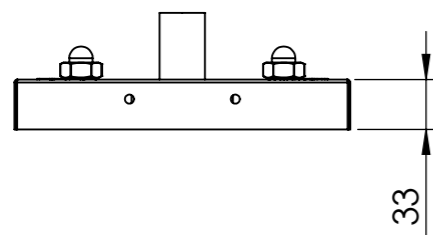
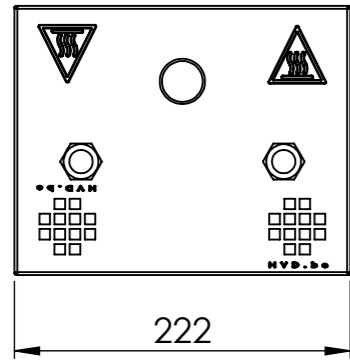
Material:		This drawing and any information or descriptive material set out on it are the confidential and copyright property of HVD . © and MUST NOT BE DISCLOSED, COPIED, LOANED in whole or part or used for any purpose without the written permission of HVD .		Description:	
Finish:		Document Type:		Drawn by: TC	
Unless Otherwise Stated: Linear Tol.: ±0.2, Angular Tol.: 0°15' Surface Finish: 0.8µm All Dimensions: mm		Company Confidential		Drawn Date: 01/10/2018	
Drawing Scale: 1:10		Legal Owner:		Checked/Approved by:	
Approx Weight: Kg		HVD, Atomveldstraat 1 bus 2 B-9450 DENDERHOUTEM BELGIUM T. +32 53 420 057 F. +32 53 420 058 info@hvd.be		Checked/Approved Date:	
Projection Method: THIRD ANGLE		Sheet Size: A3		Part Number:	
				Drawing Number:	
				Sheet: 3 of 6	
				Revision: -	



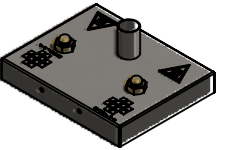
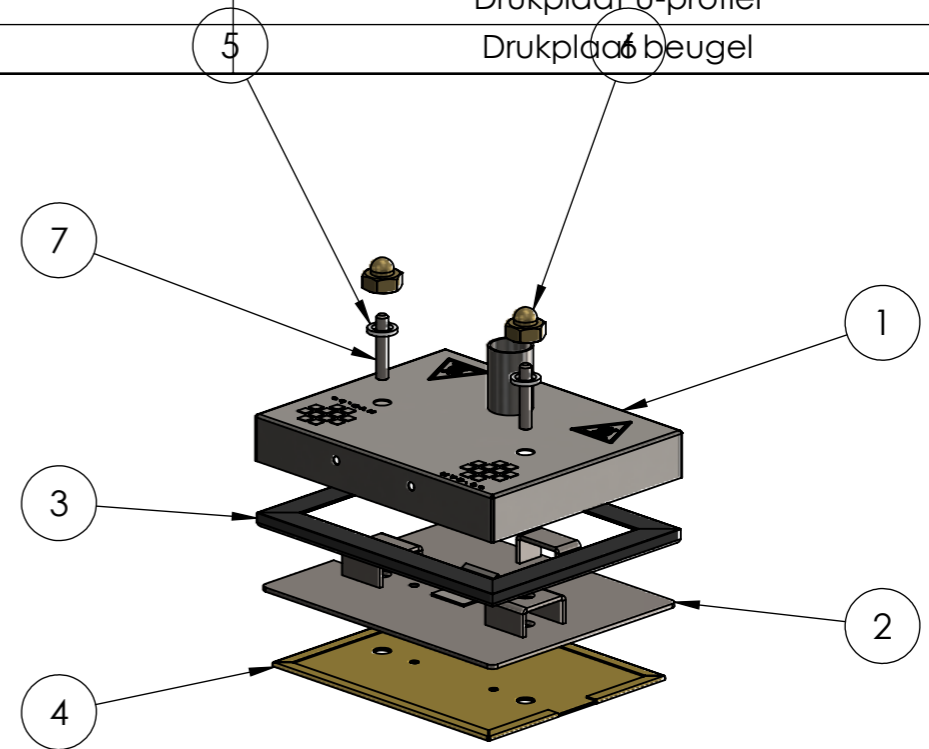
ITEM NO.	SAP	DESCRIPTION	QTY.
1	I000589	Afdekkap met 3 gaten (klein) -C-	1
2		Laststift deksel M5	2
3		Drukplaat Mk1-XS	1
4		Siliconen dichting (strips) tot 280°C Mk1-S	1
5	I000705	Verwarmingselement Mk1-S 230V 1300W	1
6	I000784	Dichting voor messing bolkopmoer M8	2
7	I000690	Bolkopmoer M8 in messing	2
8	I001207	Vervalstuk Pg13.5M binnendraad 14.5F, messing	1
9	I000481	DIN 916 - M8 x 45	2
10		Drukplaat probe klem	1
11		Drukplaat U-profiel	1
12		Drukplaat beugel	1



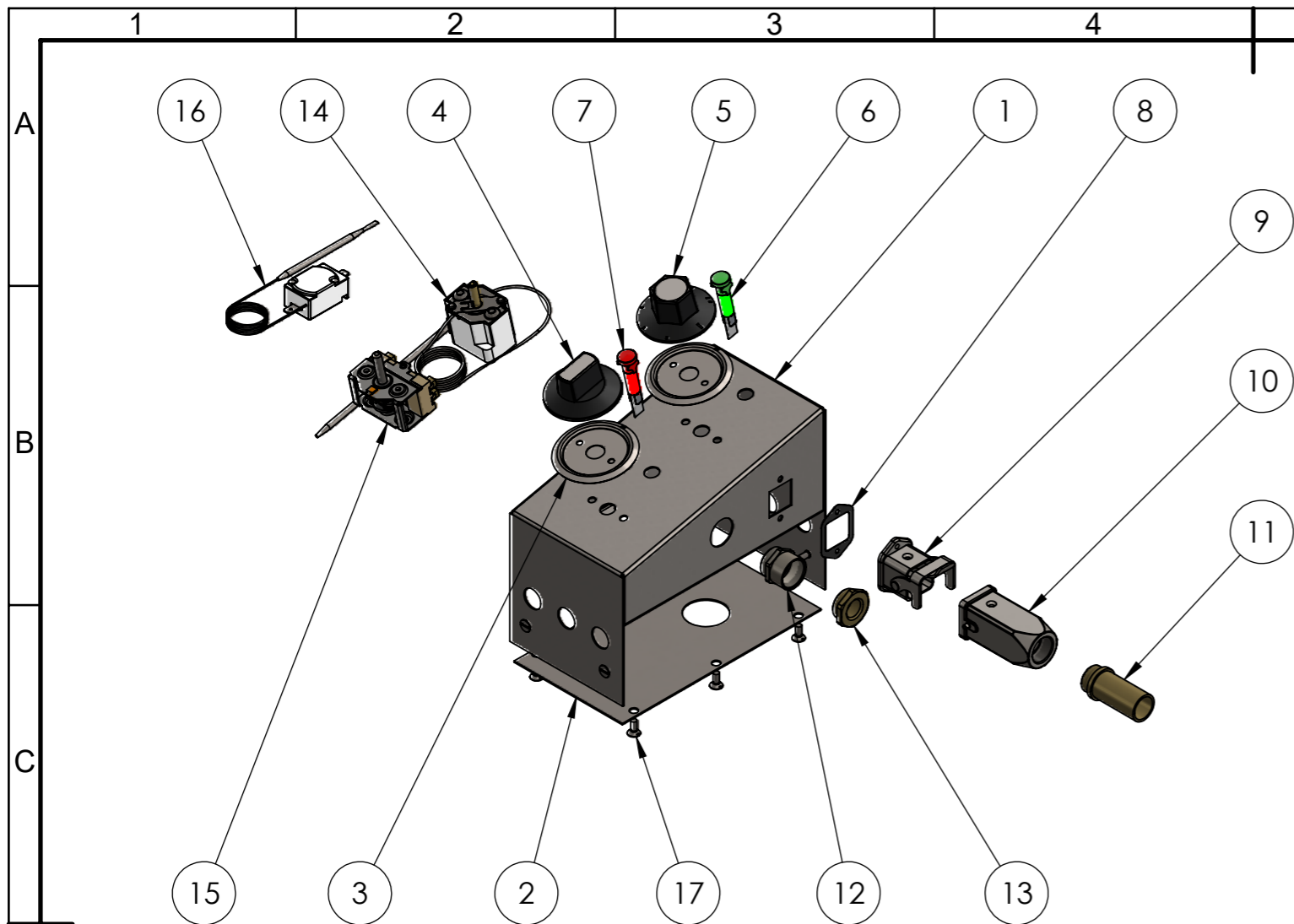
Material:		This drawing and any information or descriptive material set out on it are the confidential and copyright property of HVD . © and MUST NOT BE DISCLOSED, COPIED, LOANED in whole or part or used for any purpose without the written permission of HVD .		Description:	
Finish:		Document Type:		Drawn by: TC	
Unless Otherwise Stated: Linear Tol.: ±0.2, Angular Tol.: 0°15' Surface Finish: 0.8µm All Dimensions: mm		Drawing Scale: 1:5		Drawn Date: 01/10/2018	
Approx Weight: Kg		Drawing Produced In Accordance With: BS8888		Checked/Approved by:	
Projection Method: THIRD ANGLE		Sheet Size: A3		Checked/Approved Date:	
Legal Owner: HVD, Atomveldstraat 1 bus 2 B-9450 DENDERHOUTEM BELGIUM T. +32 53 420 057 F. +32 53 420 058 info@hvd.be		Company Confidential		Part Number:	
HVD.be		Drawing Number:		Sheet: 4 of 6	
				Revision: -	



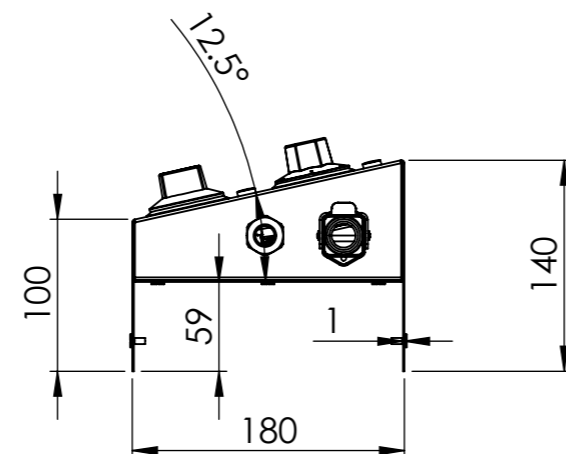
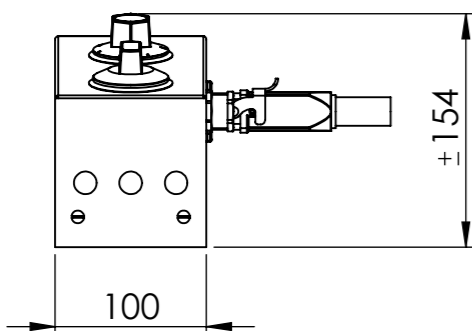
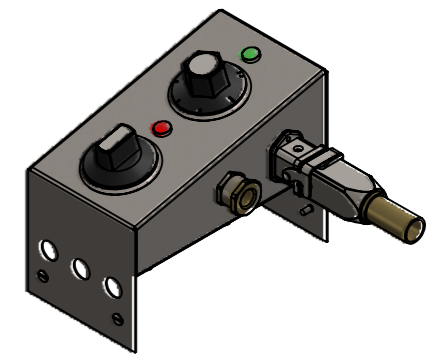
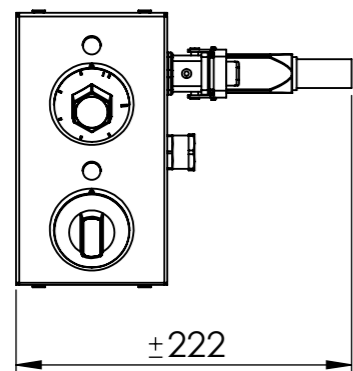
ITEM NO.	SAP	DESCRIPTION	QTY.
1		Afdekkap met 7 gaten (klein) -B-	1
2		Drukplaat Mk1-XS	1
3		Siliconen dichting (strips) tot 280°C Mk1-S	1
4	I000705	Verwarmingselement Mk1-S 230V 1300W	1
5	I000784	Dichting voor messing bolkopmoer M8	2
6	I000690	Bolkopmoer M8 in messing	2
7	I000481	DIN 916 - M8 x 45	2
8		Lasstift deksel M5	2
9		Buis Ø30x1,5x45	1
10		Drukplaat probe klem	1
11		Drukplaat U-profiel	1
12		Drukplaat beugel	1



Material:		This drawing and any information or descriptive material set out on it are the confidential and copyright property of HVD . © and MUST NOT BE DISCLOSED, COPIED, LOANED in whole or part or used for any purpose without the written permission of HVD .	Description:	
Finish:			Drawn by: TC Drawn Date: 01/10/2018	
Unless Otherwise Stated: Linear Tol.: ±0.2, Angular Tol.: 0°15' Surface Finish: 0.8µm All Dimensions: mm		Document Type:	Checked/Approved by:	
Drawing Scale: 1:5		Company Confidential		Checked/Approved Date:
Approx Weight: Kg	Drawing Produced In Accordance With: BS8888	Legal Owner:		Part Number:
Projection Method: THIRD ANGLE	Sheet Size: A3	HVD, Atomveldstraat 1 bus 2 B-9450 DENDERHOUEM BELGIUM T. +32 53 420 057 F. +32 53 420 058 info@hvd.be		Drawing Number:
				Sheet: 5 of 6
				Revision: -



ITEM NO.	SAP	DESCRIPTION	QTY.
1		Bedieningsbakje Mk1-S -F-	1
2		Bedieningsbakje Mk1-S onderkant-S	1
3	I000827	Plaatje onder draaiknop	2
4	I000698	Schakelaarsknop	1
5	I000701	Thermostaat knop 50-300°C	1
6	I000692	Groene lamp 10A.3 240V VDE	1
7	I000835	Rode lamp 10A.3 240V VDE	1
8	I000893	Han A Base dichtingsrubber	1
9	I000746	Han A Base panel 1 Lever	1
10	I000747	Han 3A GG 11	1
11	I000679	Doorvoerstuk kleine veer, messing	1
12	I000867	Pg13.5MS vernikkelde dichtingsring	1
13	I001207	Vervaststuk Pg13.5M binnendraad 14.5F, messing	1
14	I000783	Thermostaat 50-320°C	1
15	I000697	Draaischakelaar ON-OFF (0-1-1-0)	1
16	I000862	Overtemperatuur beveiliging	1
17	I001212	DIN EN ISO 2009 - M4 x 10 - 10C	10



Material:		This drawing and any information or descriptive material set out on it are the confidential and copyright property of HVD . © and MUST NOT BE DISCLOSED, COPIED, LOANED in whole or part or used for any purpose without the written permission of HVD .		Description:	
Finish:		Document Type:		Drawn by: TC	
Unless Otherwise Stated: Linear Tol.: ±0.2, Angular Tol.: 0°15' Surface Finish: 0.8µm All Dimensions: mm		Drawing Scale: 1:5		Drawn Date: 01/10/2018	
Approx Weight: Kg		Drawing Produced In Accordance With: BS8888		Checked/Approved by:	
Projection Method: THIRD ANGLE		Sheet Size: A3		Checked/Approved Date:	
Legal Owner: HVD, Atomveldstraat 1 bus 2 B-9450 DENDERHOUTEM BELGIUM T. +32 53 420 057 F. +32 53 420 058 info@hvd.be		Company Confidential		Part Number:	
HVD.be		Drawing Number:		Sheet: 6 of 6	
				Revision: -	